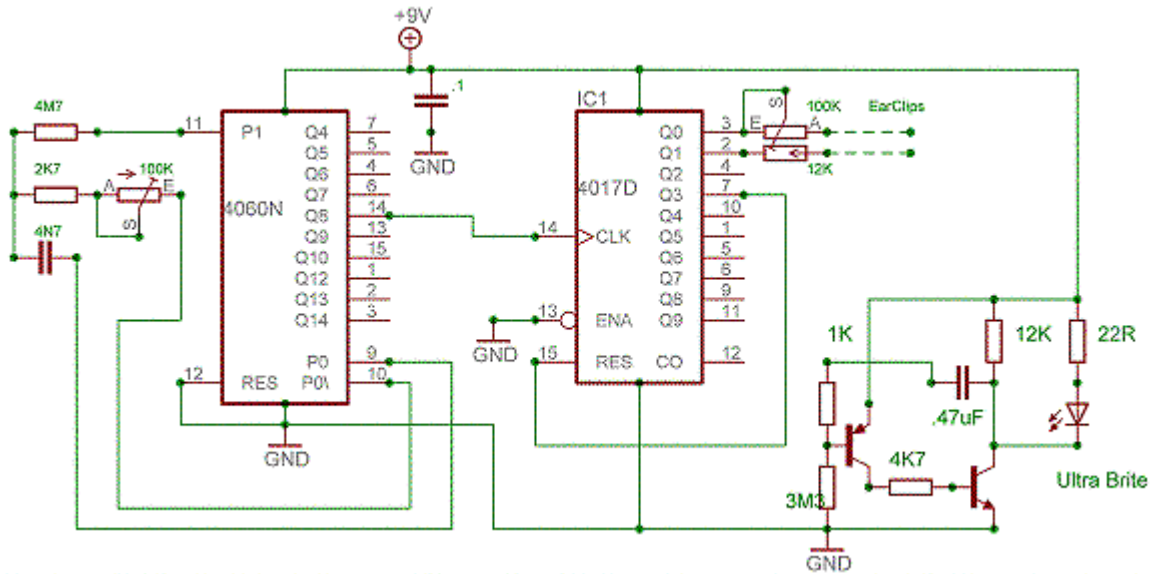

Low Power Flashing LED CES



This circuit is similar to the previous Hardware Cmos versions ("[Lo-Power](#)" and "[2 Chip](#)"). The only major change is the LED flasher to indicate On/Off and to provide an incredibly bright, albeit with an extremely small current consumption, meditation focal point.

John-Alfred Ullasmann